

8W-01 GENERAL INFORMATION

INDEX

| | page | | page |
|---|------|--|------|
| DESCRIPTION AND OPERATION | | TROUBLESHOOTING WIRING PROBLEMS | 10 |
| CIRCUIT FUNCTIONS | 4 | SERVICE PROCEDURES | |
| CIRCUIT INFORMATION | 4 | CONNECTOR AND TERMINAL | |
| CONNECTOR INFORMATION | 7 | REPLACEMENT | 13 |
| ELECTROSTATIC DISCHARGE (ESD) | | CONNECTOR REPLACEMENT | 12 |
| SENSITIVE DEVICES | 8 | DIODE REPLACEMENT | 14 |
| INTRODUCTION | 1 | TERMINAL REPLACEMENT | 14 |
| NOTES, CAUTIONS, and WARNINGS | 7 | TERMINAL/CONNECTOR REPAIR- AUGAT | |
| SECTION IDENTIFICATION | 5 | CONNECTORS | 12 |
| SPLICE LOCATIONS | 7 | TERMINAL/CONNECTOR REPAIR-MOLEX | |
| SYMBOLS | 5 | CONNECTORS | 11 |
| TAKE OUTS | 8 | TERMINAL/CONNECTOR REPAIR—THOMAS | |
| TERMINOLOGY | 7 | AND BETTS CONNECTORS | 11 |
| DIAGNOSIS AND TESTING | | WIRING REPAIR | 10 |
| INTERMITTENT AND POOR CONNECTIONS | 9 | SPECIAL TOOLS | |
| TROUBLESHOOTING TESTS | 9 | WIRING/TERMINAL | 15 |
| TROUBLESHOOTING TOOLS | 8 | | |

DESCRIPTION AND OPERATION

INTRODUCTION

Chrysler wiring diagrams are designed to provide information regarding the vehicles wiring content. In order to effectively use Chrysler wiring diagrams to diagnose and repair a Chrysler vehicle, it is important to understand all of their features and characteristics.

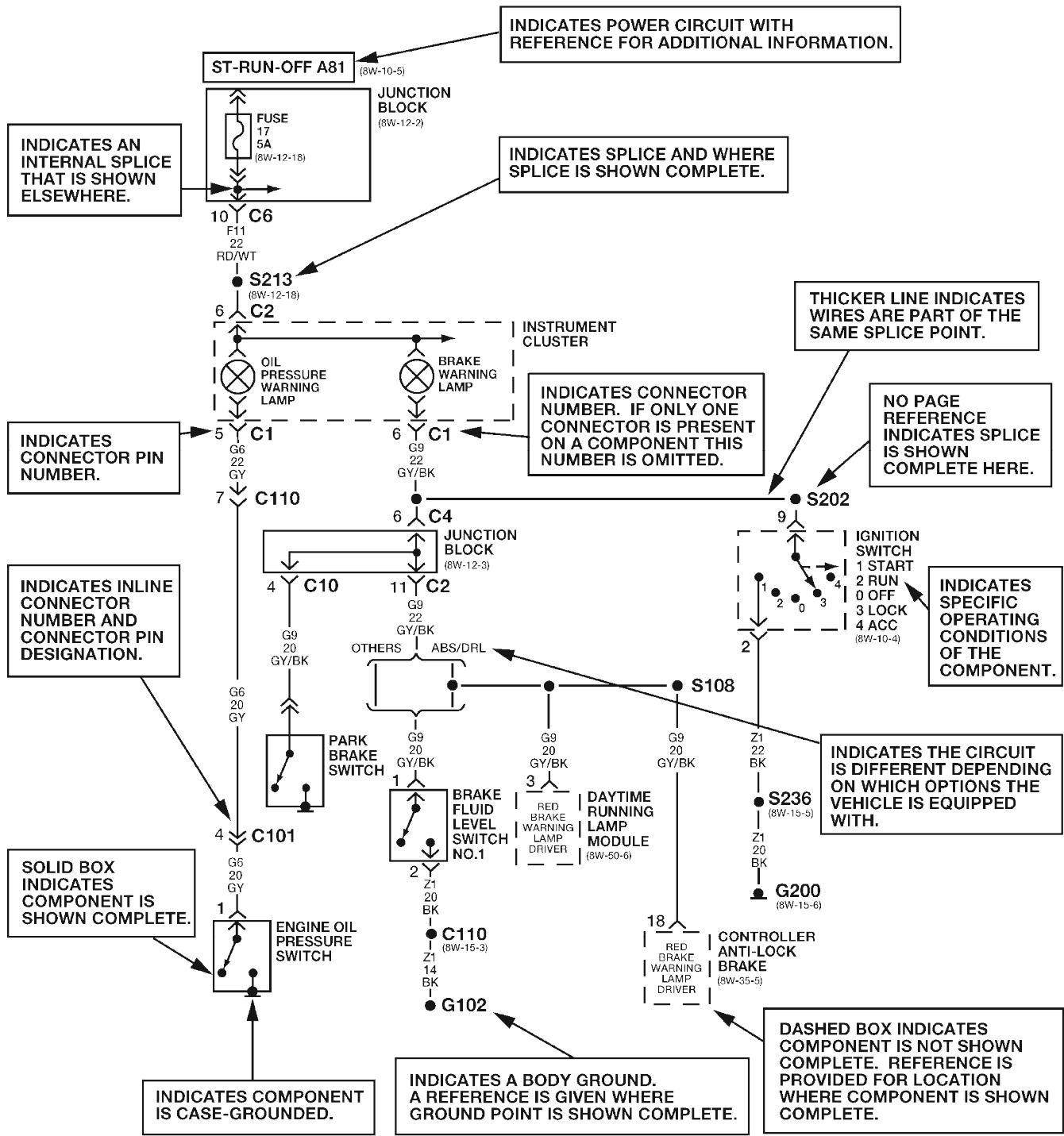
Diagrams are arranged such that the power (B+) side of the circuit is placed near the top of the page, and the ground (B-) side of the circuit is placed near the bottom of the page.

All switches, components, and modules are shown in the at rest position with the doors closed and the key removed from the ignition.

Components are shown two ways. A solid line around a component indicates that the component is complete. A dashed line around a component indicates that the component being shown is not complete. Incomplete components have a reference number to indicate the page where the component is shown complete.

It is important to realize that no attempt is made on the diagrams to represent components and wiring as they appear on the vehicle. For example, a short piece of wire is treated the same as a long one. In addition, switches and other components are shown as simply as possible, with regard to function only.

DESCRIPTION AND OPERATION (Continued)



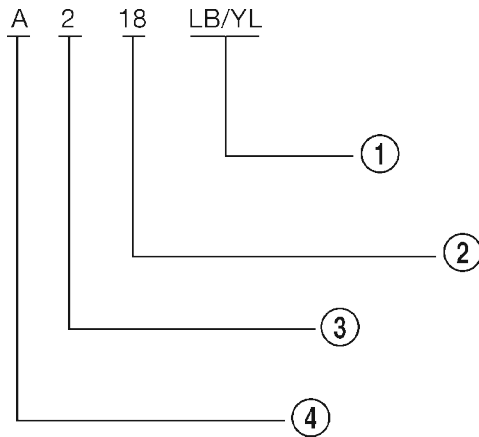
80b3b273

The System shown here is an EXAMPLE ONLY. It does not represent the actual circuit shown in the WIRING DIAGRAM SECTION.

DESCRIPTION AND OPERATION (Continued)

CIRCUIT INFORMATION

Each wire shown in the diagrams contains a code which identifies the main circuit, part of the main circuit, gage of wire, and color (Fig. 1).



80aff571

Fig. 1 Wire Code Identification

- 1 - COLOR OF WIRE (LIGHT BLUE WITH YELLOW TRACER)
- 2 - GAUGE OF WIRE (18 GAUGE)
- 3 - PART OF MAIN CIRCUIT (VARIES DEPENDING ON EQUIPMENT)
- 4 - MAIN CIRCUIT IDENTIFICATION

WIRE COLOR CODE CHART

| COLOR CODE | COLOR | STANDARD TRACER COLOR |
|------------|-------------|-----------------------|
| BL | BLUE | WT |
| BK | BLACK | WT |
| BR | BROWN | WT |
| DB | DARK BLUE | WT |
| DG | DARK GREEN | WT |
| GY | GRAY | BK |
| LB | LIGHT BLUE | BK |
| LG | LIGHT GREEN | BK |
| OR | ORANGE | BK |
| PK | PINK | BK or WT |
| RD | RED | WT |
| TN | TAN | WT |
| VT | VIOLET | WT |
| WT | WHITE | BK |
| YL | YELLOW | BK |
| * | WITH TRACER | |

CIRCUIT FUNCTIONS

All circuits in the diagrams use an alpha/numeric code to identify the wire and its function. To identify which circuit code applies to a system, refer to the Circuit Identification Code Chart. This chart shows the main circuits only and does not show the secondary codes that may apply to some models.

CIRCUIT IDENTIFICATION CODE CHART

| CIRCUIT | FUNCTION |
|---------|--|
| A | BATTERY FEED |
| B | BRAKE CONTROLS |
| C | CLIMATE CONTROLS |
| D | DIAGNOSTIC CIRCUITS |
| E | DIMMING ILLUMINATION CIRCUITS |
| F | FUSED CIRCUITS |
| G | MONITORING CIRCUITS (GAUGES) |
| H | OPEN |
| I | NOT USED |
| J | OPEN |
| K | POWERTRAIN CONTROL MODULE |
| L | EXTERIOR LIGHTING |
| M | INTERIOR LIGHTING |
| N | NOT USED |
| O | NOT USED |
| P | POWER OPTION (BATTERY FEED) |
| Q | POWER OPTIONS (IGNITION FEED) |
| R | PASSIVE RESTRAINT |
| S | SUSPENSION/STEERING |
| T | TRANSMISSION/TRANSAXLE/ TRANSFER CASE |
| U | OPEN |
| V | SPEED CONTROL, WIPER/WASHER |
| W | OPEN |
| X | AUDIO SYSTEMS |
| Y | OPEN |
| Z | GROUND |

DESCRIPTION AND OPERATION (Continued)**SECTION IDENTIFICATION**

The wiring diagrams are grouped into individual sections. If a component is most likely found in a particular group, it will be shown complete (all wires, connectors, and pins) within that group. For example, the Auto Shutdown Relay is most likely to be found in Group 30, so it is shown there complete. It can, however, be shown partially in another group if it contains some associated wiring.

SYMBOLS

International symbols are used throughout the wiring diagrams. These symbols are consistent with those being used around the world

| GROUP | TOPIC |
|---------------------|---|
| 8W-01 thru 8W-09 | General Information and Diagram Overview |
| 8W-10 thru 8W-19 | Main Sources of Power and Vehicle Grounding |
| 8W-20 thru 8W-29 | Starting and Charging |
| 8W-30 thru 8W-39 | Powertrain/Drivetrain Systems |
| 8W-40 thru 8W-49 | Body Electrical items and A/C |
| 8W-50 thru 8W-59 | Exterior Lighting, Wipers, and Trailer Tow |
| 8W-60 thru 8W-69 | Power Accessories |
| 8W-70 | Splice Information |
| 8W-80 | Connector Pin Outs |
| 8W-90 | Connector Locations (including grounds) |
| 8W-95 | Splice Locations |