

# WIRING DIAGRAMS

## 1988 Jeep Cherokee

1988 Wiring Diagrams  
Jeep

Cherokee & Wagoneer

### IDENTIFICATION

#### COMPONENT LOCATION MENU

##### COMPONENT LOCATIONS TABLE

Component	Figure No. (Location)
A/C & Htr Systems	5 (A-D 16-19)
Alternator	1 (C 3)
Audio Alarm Module	7 (D 27)
Back-Up Lt Sw (M/T)	4 (D 12)
Battery	1 (A 2)
Beam Sel Sw	6 (E 23)
Brake Warning Sw	6 (C 20)
Clock	7 (E 27)
Clutch Switch	4 (E 15)
Courtesy Lights	7 (C 24-26)
Cruise Ctrl Sys	4 (E 12-15)
Diag Conn D1 (2.5L)	3 (B 9)
Diag Conn D1 (4.0L)	2 (B 4)
Diag Conn D2 (2.5L)	3 (B 11)
Diag Conn D2 (4.0L)	2 (B 7)
DIR Hazard Sw	6 (D-E 20-21)
Door Switches	7 (C 27)
Elect Ctrl Unit (2.5L)	3 (A 9-10)
Elect Ctrl Unit (4.0L)	2 (A 4-7)
Engine Compartment Lt	1 (C 1)
Fog Light Relay	1 (D 2)
Fog Light Sw	6 (E 21-22)
Fuel Pump Rly (2.5L)	3 (C 9)
Fuel Pump Rly (4.0L)	2 (E 5-6)
Fuel Tank Unit	6 (B 20)
Fus Links	1 (B 2-3)
Fuse Block	4 (B-D 12-15)
4WD Switch	6 (C 20, D 21)
Gear Sel Sw	5 (C 16)
Glove Box Light	7 (C 25)
Headlight Delay Module	6 (E 23)
Headlight Switch	6 (D 22-23)
Horn Relay	1 (C 2)
Ignition Ctrl Mod (2.5L)	3 (B-C 8)
Ignition Ctrl Module (4.0L)	2 (E 4)
Ignition Key Warn Sw	7 (D 26)
Ignition Switch	4 (A 12-15)
Illum Lights	7 (C-D 24-25)
Instrument Cluster	6 (A-C 22-23)
Keyless Entry Module	7 (B 24-25)
Latch Rly (B+) (4.0L)	2 (B-C 4)
Power Antenna Rly	7 (D-E 27)
Power/Comfort Sw	5 (D 19)
Power Door Lock Sys	7 (A-C 24-27)
Power Mirror Sw	7 (D-E 24-25)
Power Seat Sw	8 (A-B 28-29)

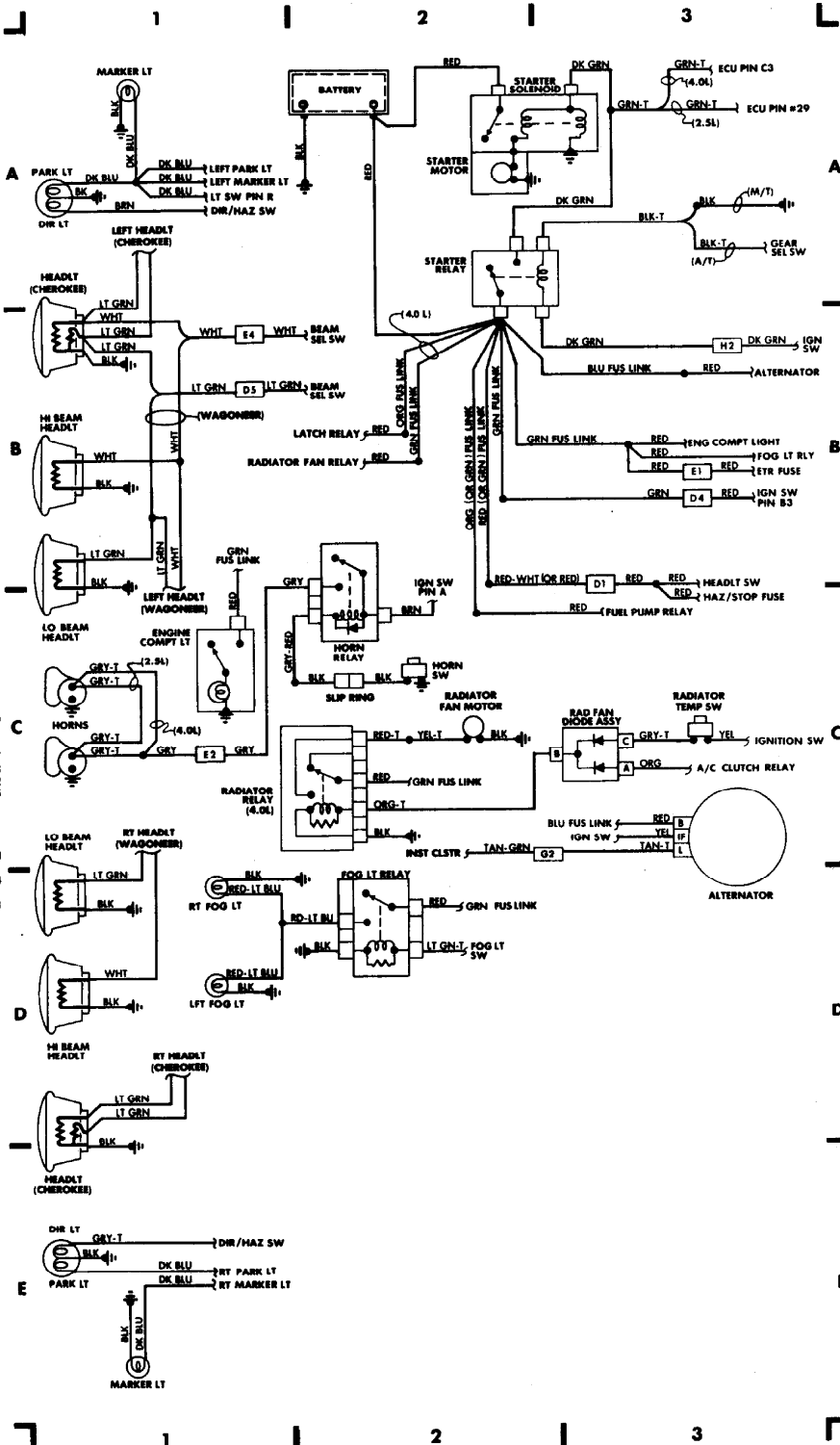
Power Window Sys .....	7 (A-C 24-27)
Radiator Fan Rly (4.0L) .....	1 (C 1-2)
Radiator Fan Diode Assy .....	1 (C 3)
Radiator Temp Switch .....	1 (C 3)
Rear Defogger Unit .....	8 (D 28-29)
Rear Wiper/Washer Unit .....	8 (B-C 29-30)
Resistor Pack .....	6 (E 21)
Rt Fnt Door Lock/Window Switch .....	7 (B 26-27)
Starter Solenoid .....	1 (A 2-3)
Starter Solenoid Relay .....	1 (A 2)
Stop Light Switch .....	4 (E 15)
Trailer Towing Harness (Cherokee) .....	8 (E 28-31)
Trailer Towing Harness (Wagoneer) .....	8 (A 28-31)
Trans Ctrl Unit .....	5 (D-E 16-19)
Upshift Sw (2.5L) .....	6 (C 21)
Vanity Lights .....	7 (C 24)
Washer Fluid Level Sw .....	3 (D 11)
Wiper/Washer System .....	3 (D-E 8-11)

---

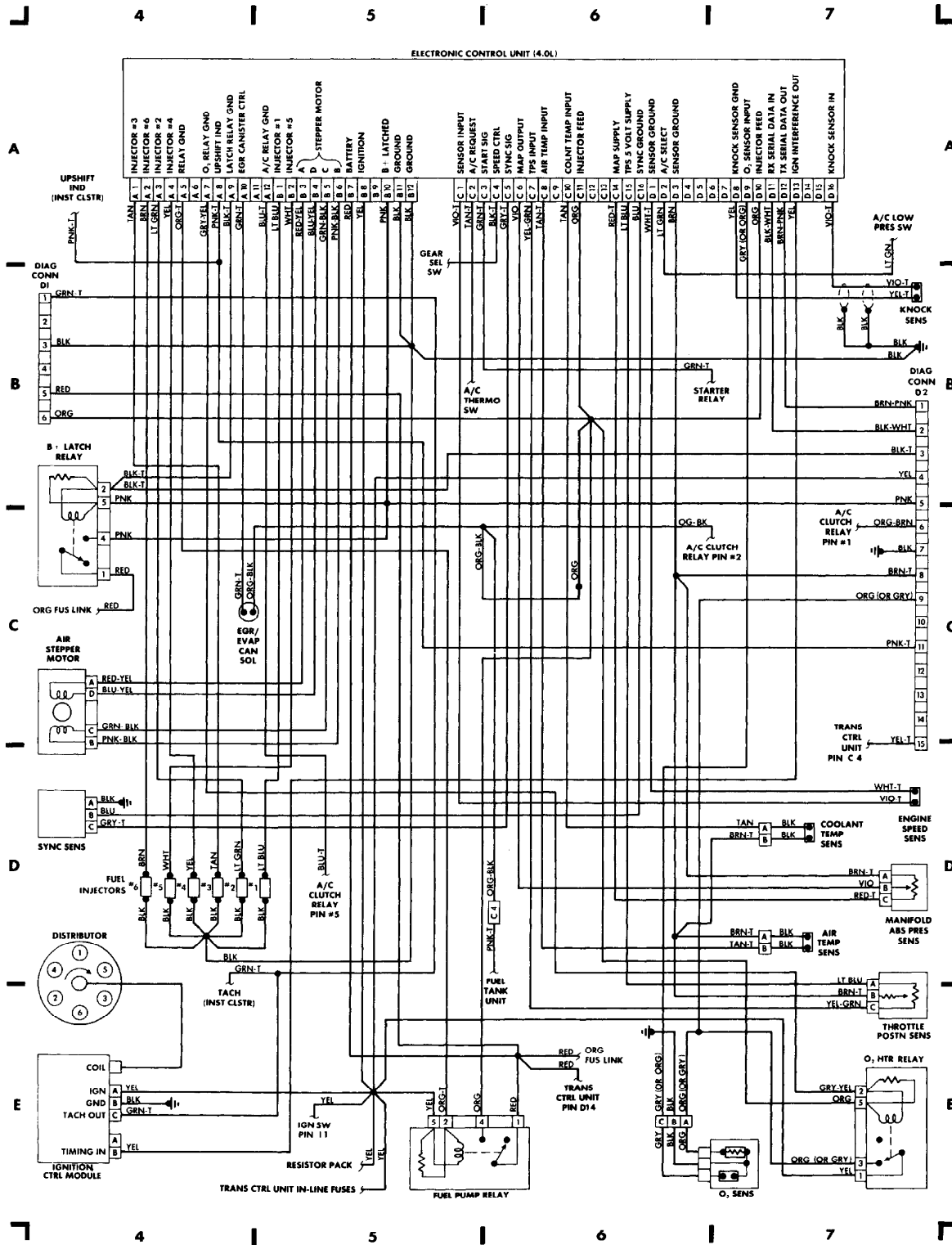
## WIRING DIAGRAMS

**COMPONENT LOCATOR:**

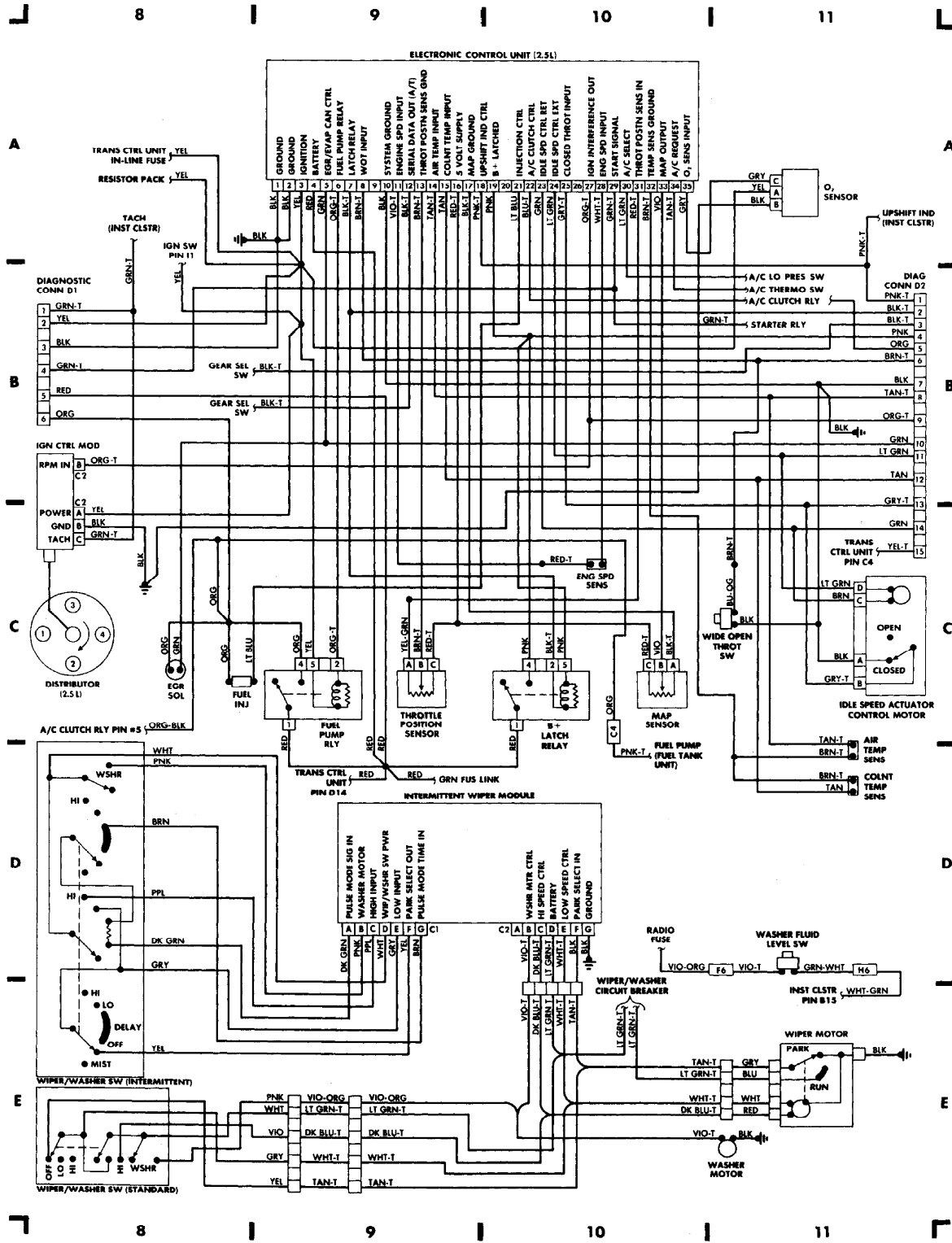
- A/C & HTR SYSTEMS ..... A-D 16-19
- ALTERNATOR ..... C 3
- AUDIO ALARM MODULE ..... D 27
- BACK-UP LT SW (M/T) ..... D 12
- BATTERY ..... A 2
- BEAM SEL SW ..... E 23
- BRAKE WARNING SW ..... C 20
- CLOCK ..... E 27
- CLUTCH SWITCH ..... E 15
- COURTESY LIGHTS ..... C 24-26
- CRUISE CTRL SYS ..... E 12-15
- DIAG CONN D1 (2.5L) ..... B 9
- DIAG CONN D1 (4.0L) ..... B 4
- DIAG CONN D2 (2.5L) ..... B 11
- DIAG CONN D2 (4.0L) ..... B 7
- DIR HAZARD SW ..... D-E 20-21
- DOOR SWITCHES ..... C 27
- ELECT CTRL UNIT (2.5L) ..... A 9-10
- ELECT CTRL UNIT (4.0L) ..... A 4-7
- ENGINE COMPARTMENT LT ..... C 1
- FOG LIGHT RELAY ..... D 2
- FOG LIGHT SW ..... E 21-22
- FUEL PUMP RLY (2.5L) ..... C 9
- FUEL PUMP RLY (4.0L) ..... E 5-6
- FUEL TANK UNIT ..... B 20
- FUS LINKS ..... B 2-3
- FUSE BLOCK (2.5L) ..... B 4-15
- 4WD SWITCH ..... C 20, D 21
- GEAR SEL SW ..... C 16
- GLOVE BOX LIGHT ..... C 25
- HEADLIGHT DELAY MODULE ..... E 23
- HEADLIGHT SWITCH ..... D 22-23
- HORN RELAY ..... C 2
- IGNITION CTRL MOD (2.5L) ..... B-C 8
- IGNITION CTRL MODULE (4.0L) ..... E 4
- IGNITION SWITCH ..... A 12-15
- ILLUM LIGHTS ..... C-D 24-25
- INSTRUMENT CLUSTER ..... A-C 22-23
- KEYLESS ENTRY MODULE ..... B 24-25
- LATCH RLY (B-1) (4.0L) ..... B-C 4
- POWER ANTENNA RLY ..... D-E 27
- POWER/COMFORT SW ..... D 19
- POWER MIRROR SW ..... D-E 24-25
- POWER SEAT SW ..... A-B 28-29
- POWER WINDOW SYS ..... A-C 24-27
- RADIATOR FAN RLY (4.0L) ..... C 3
- RADIATOR TEMP SWITCH ..... C 3
- REAR DEFOGGER UNIT ..... D 28-29
- REAR WIPER/WASHER UNIT ..... B-C 29-30
- RESISTOR PACK ..... E 21
- RT FNT DOOR LOCK/WINDOW SWITCH ..... B 26-27
- STARTER SOLENOID ..... A 2-3
- STARTER SOLENOID RELAY ..... A 2
- STOP LIGHT SWITCH ..... E 15
- TRAILER TOWING HARNESS (CHEROKEE) ..... E 28-31
- TRAILER TOWING HARNESS (WAGONER) ..... A 28-31
- TRANS CTRL UNIT ..... D-E 16-19
- UPSHIFT SW (2.5L) ..... C 21
- VANITY LIGHTS ..... C 24
- WASHER FLUID LEVEL SW ..... D 11
- WIPER/WASHER SYSTEM ..... D-E 8-11



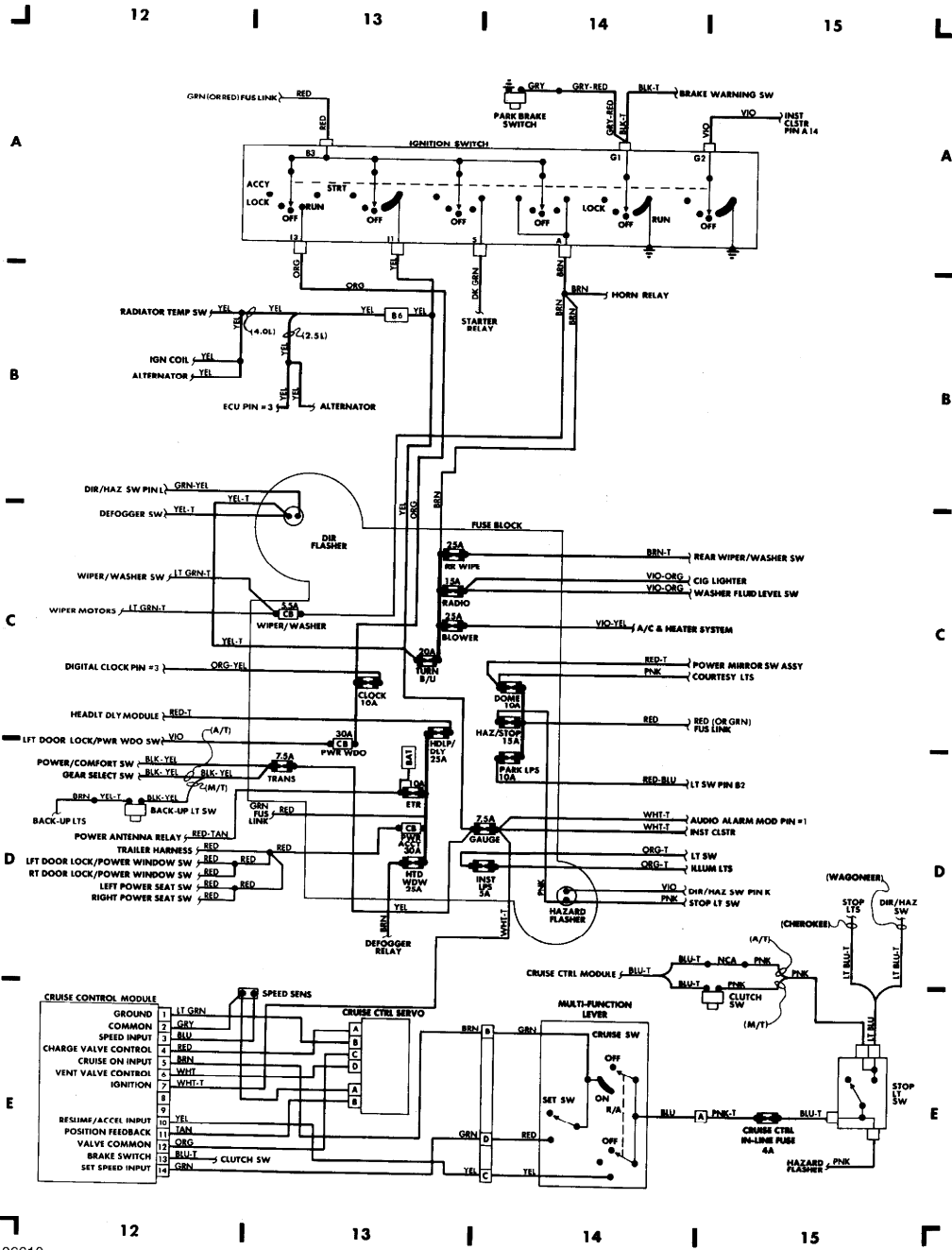
96607  
Fig. 1: Engine Compartment & Headlights



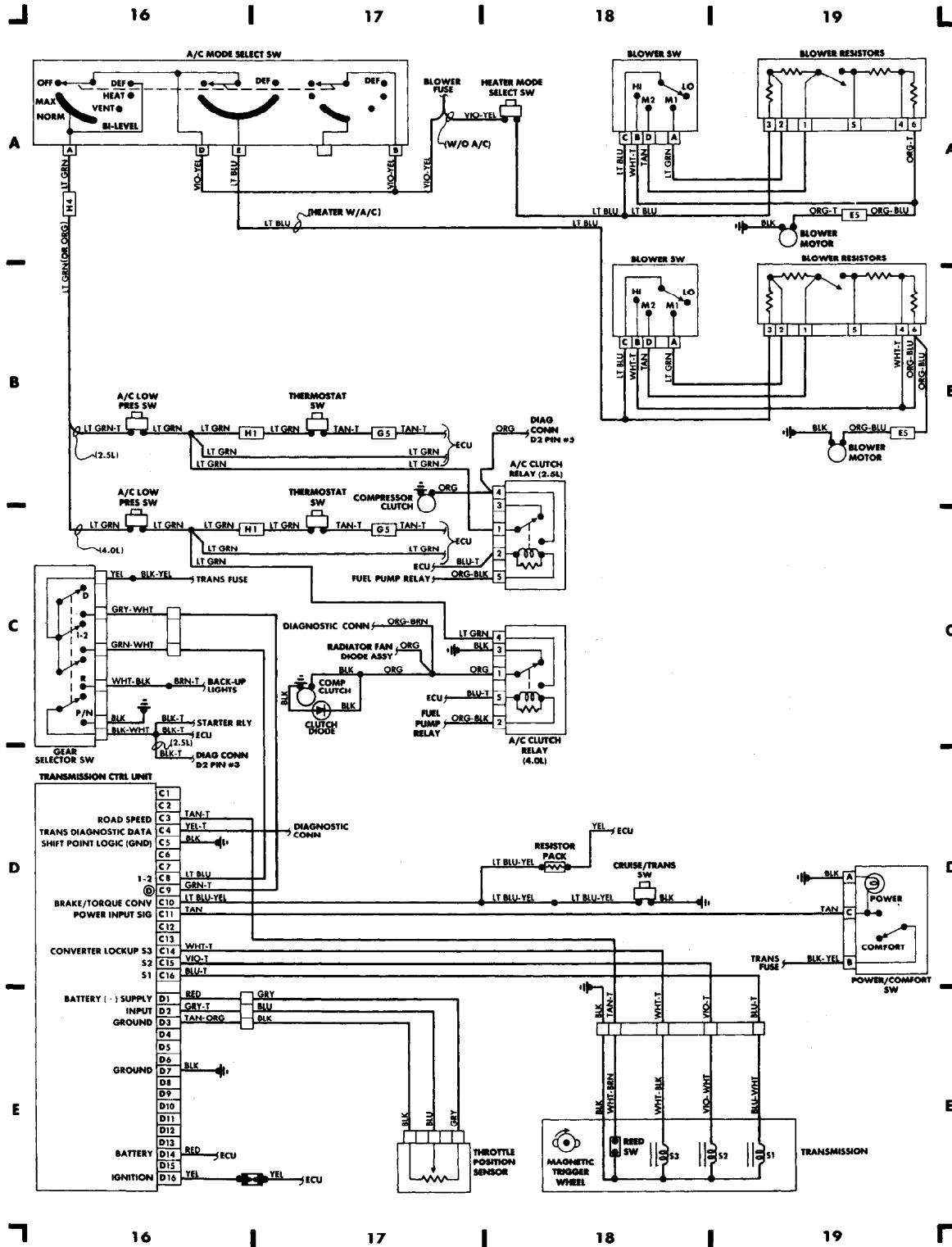
96608  
 Fig. 2: Computer Engine Control (6-Cyl)



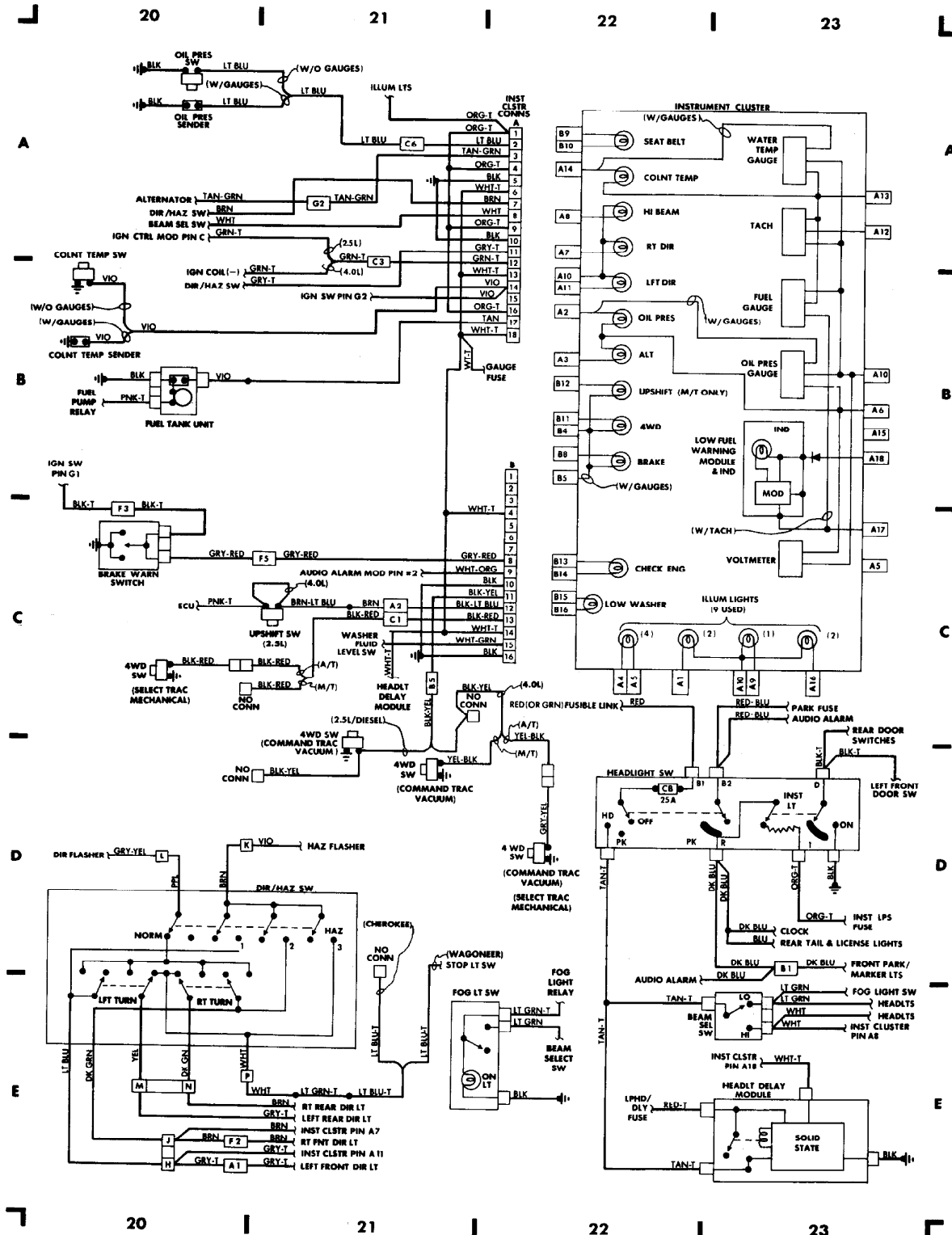
96609  
Fig. 3: Computer Engine Control (4-Cyl)



96610  
Fig. 4: Fuse Block

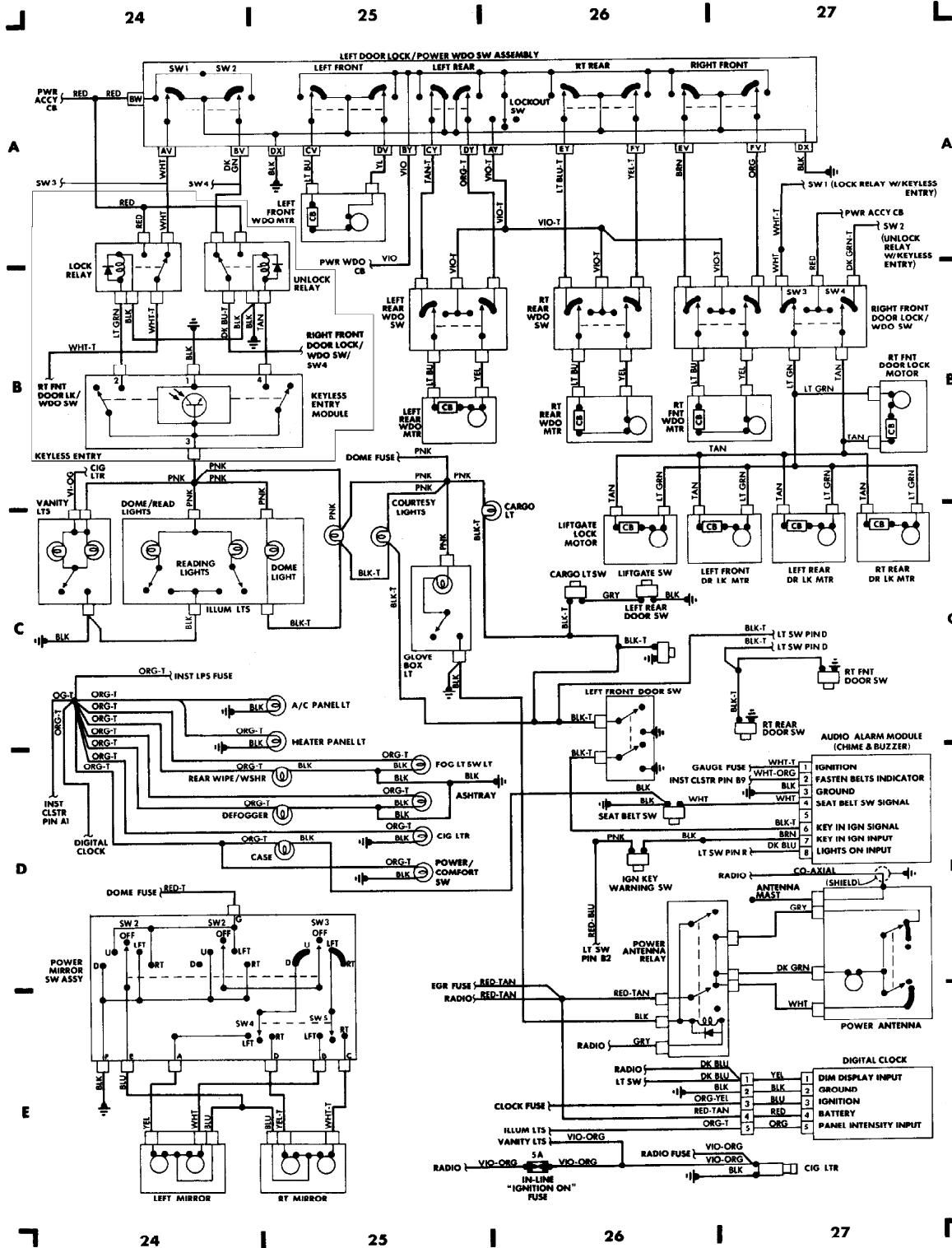


96611  
 Fig. 5: A/C Heating System

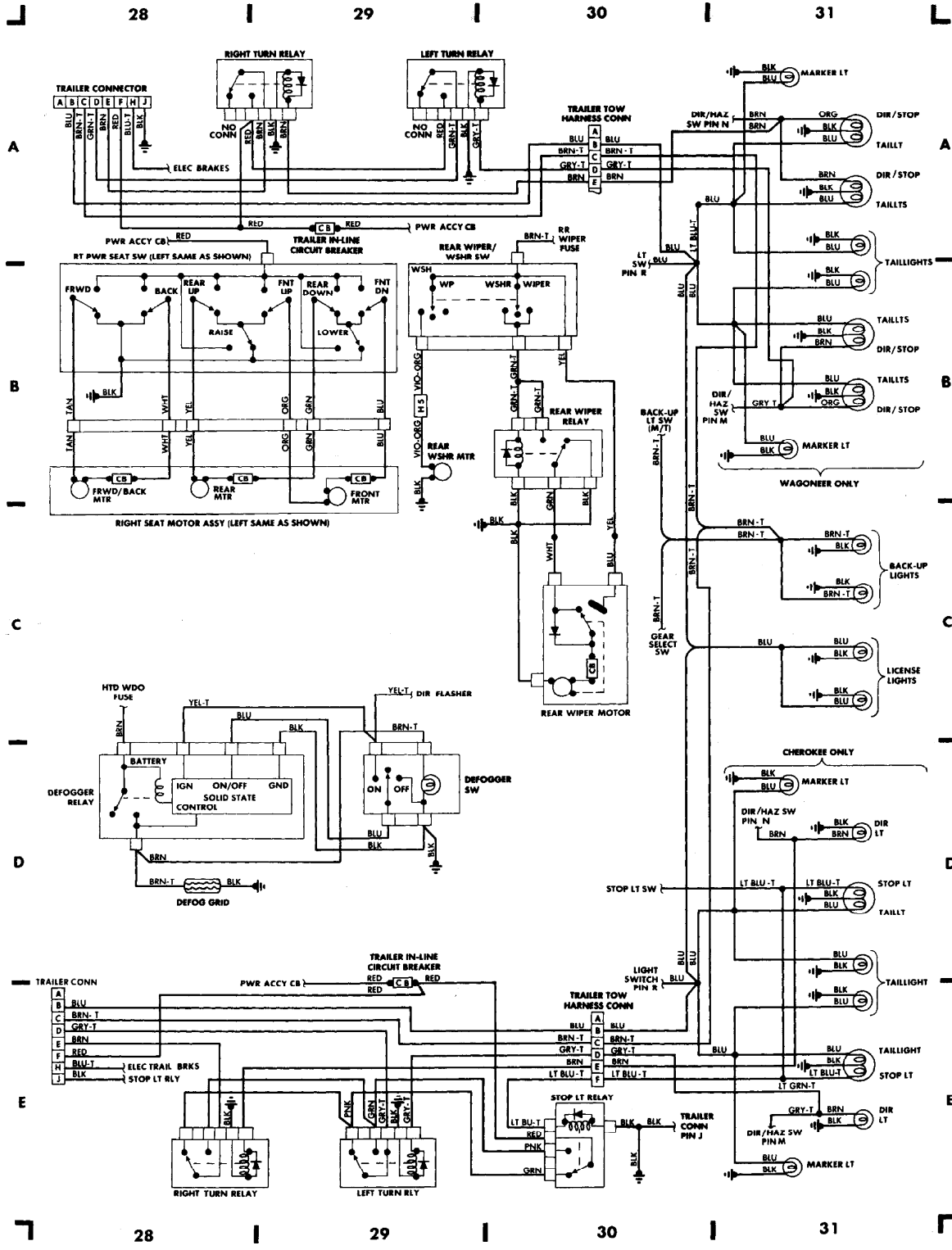


96612  
Fig. 6: Instrument Panel (1 of 2)





96613  
 Fig. 7: Instrument Panel (2 of 2)



96614

Fig. 8: Passenger Compartment & Tail Lights